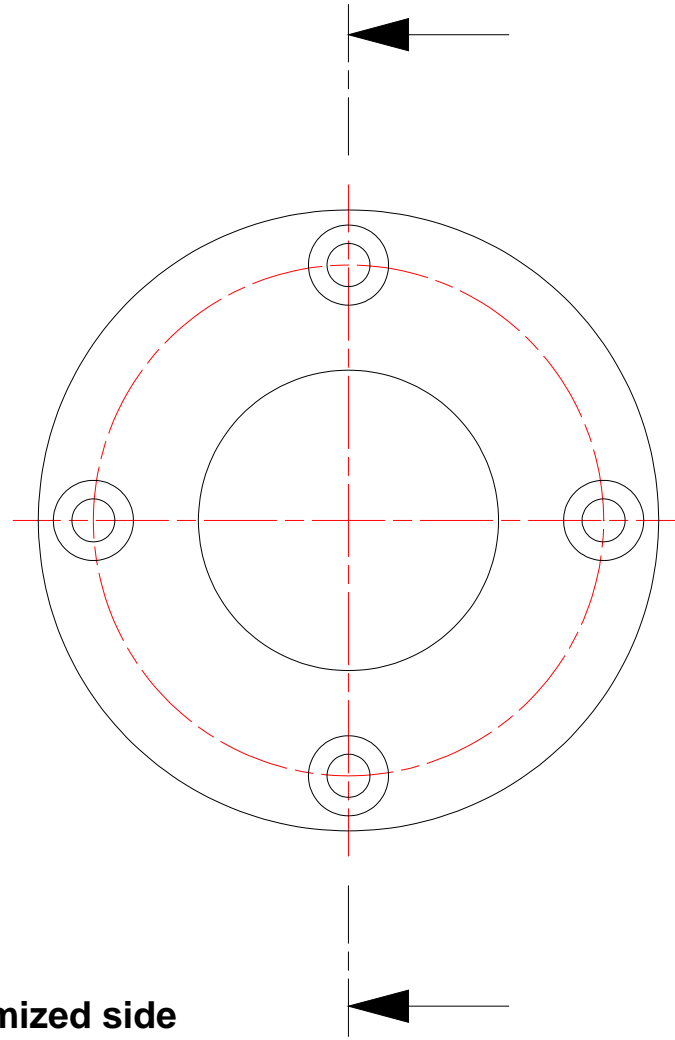


Customized side



Adaptor flange Z9

**Material: X2CrNiMo 18 16 4
1.4438**